

Smart Wallbox Sensors

Combines occupancy/vacancy sensing with 0-10V dimming and ON/OFF switching capabilities

Smart Wallbox Sensors provide a simple sensing and dimming control solution for easy energy savings and local control. Enable and configure additional capabilities with the App.

Smart Wallbox Sensors combine occupancy/vacancy sensing technology with 0-10V dimming control (ODD10-IDx and ODD24-IDx) and ON/OFF switching (ODS15-IDx). The sensors feature simple pushbutton programming for most common options as well as an App for advanced configuration. Add power packs and controlled receptacles to manage a range of lighting and plug load control needs.

Use the Smart Sensor App to adjust the operating mode for occupancy or vacancy as well as sensitivity and timeouts, setup partial-ON and partial-OFF levels along with partial-OFF timeouts, enable the integrated photocell for daylighting hold-OFF, and customize the nightlight feature from a wide selection of RGB colors. The App also allows users to name devices and create a security code to lock configuration settings.



CHALLENGE

Facility Manager wants a simple and attractive solution with robust capabilities that meets code compliance.

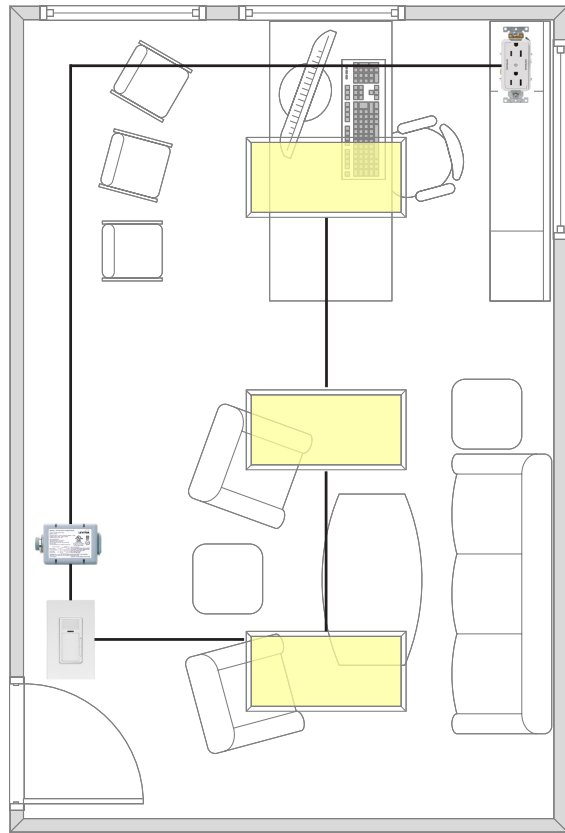
- Need for cost-effective, simple to install sensor that offers easy installation and configuration
- Space requires dimming control and plug load control
- Must meet energy codes for occupancy/vacancy sensing, dimming and plug load control

SOLUTION

Smart Wallbox Sensors offer simple energy and labor saving lighting control solutions for multiple applications.

- Smart Wallbox Sensors provide a simple occupancy/vacancy sensing and dimming solution and fits in a standard wallbox
- Use with a power pack and controlled receptacle for plug load control
- App based configuration and customization make for a convenient, affordable solution that meets a range of needs
- Can be used to comply with IECC, ASHRAE 90.1, and 2019 Title 24, Part 6 occupancy/vacancy sensing, dimming and plug load control requirements

SIMPLE OCCUPANCY/VACANCY SENSING AND DIMMING CONTROL WITH RECEPTACLE CONTROL

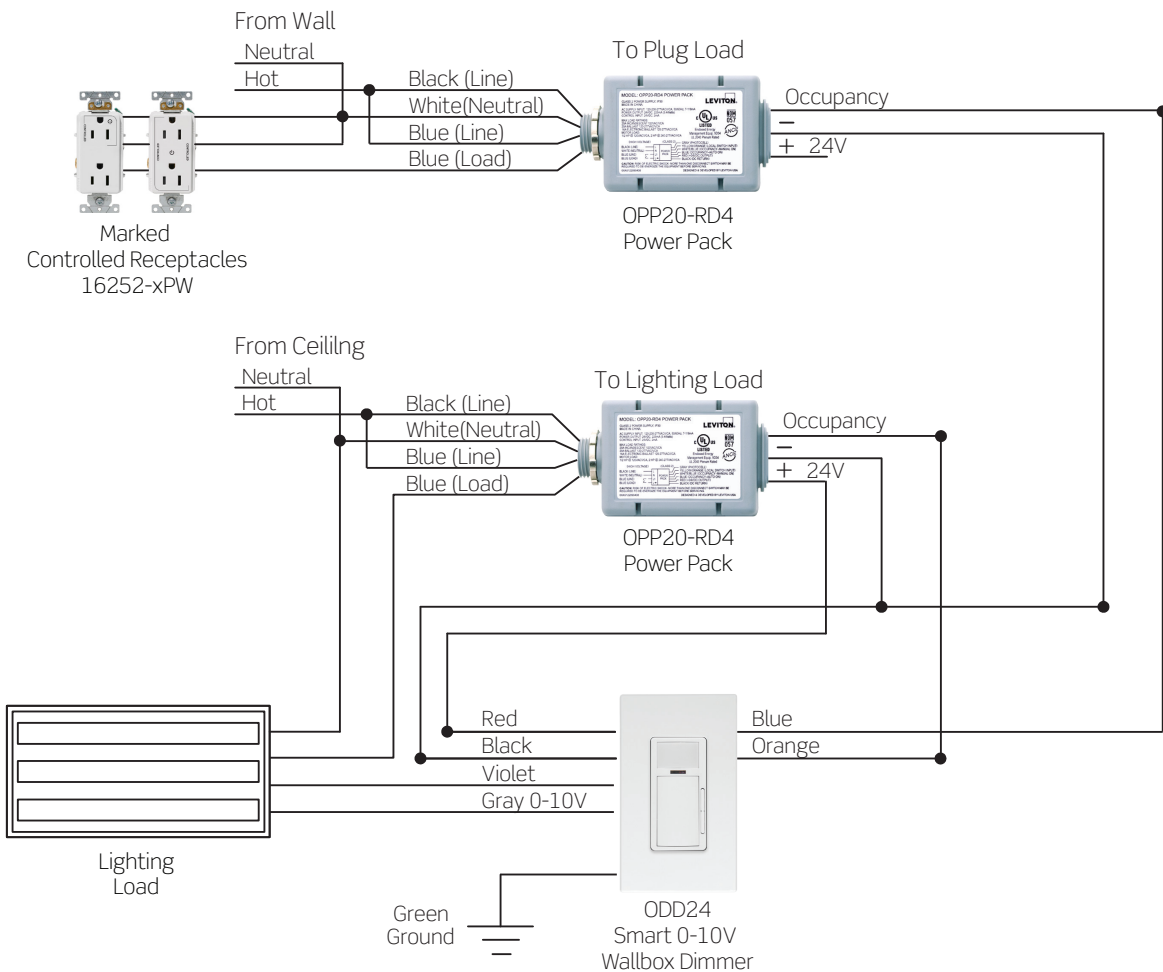


WHAT YOU WILL NEED

SMART WALLBOX SENSORS AND POWER PACKS		QTY.
	Smart PIR 24V Dimming Wallbox Sensor ODD24-IDW* For use in low voltage applications where occupancy/vacancy sensing and 0-10V dimming control is required; requires an OPP20 or OSA20 Power Pack for operation	1
	Super Duty Power Pack OPP20-RD4 For use with an ODD24 Smart PIR 24V Dimming Wallbox Sensor	1
	Marked "Controlled" Receptacles 16252-1PW/16252-2PW Provides receptacle or plug load control	1
ADDITIONAL SMART WALLBOX SENSOR OPTIONS		
	Smart PIR 0-10V Dimming Wallbox Sensor ODD10-IDW/ODD10-IDI* For use in applications where occupancy/vacancy sensing and 0-10V dimming control is required	1
	Smart PIR Wall Switch Sensor ODS15-IDW/ODS15-IDI* For use in applications where occupancy/vacancy sensing and ON/OFF switching control is required	1

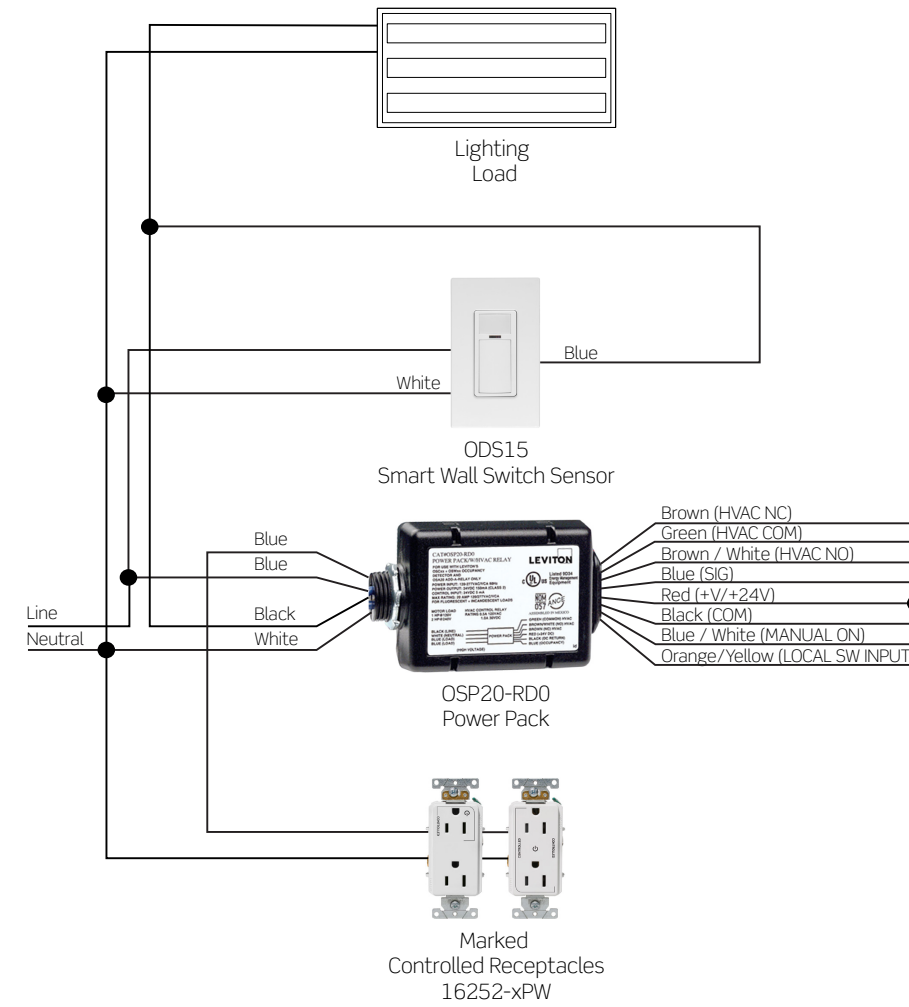
* Color change kits available in Black, Red, Gray, Ivory, Light Almond and White.

PLUG LOAD CONTROL WITH ODD24

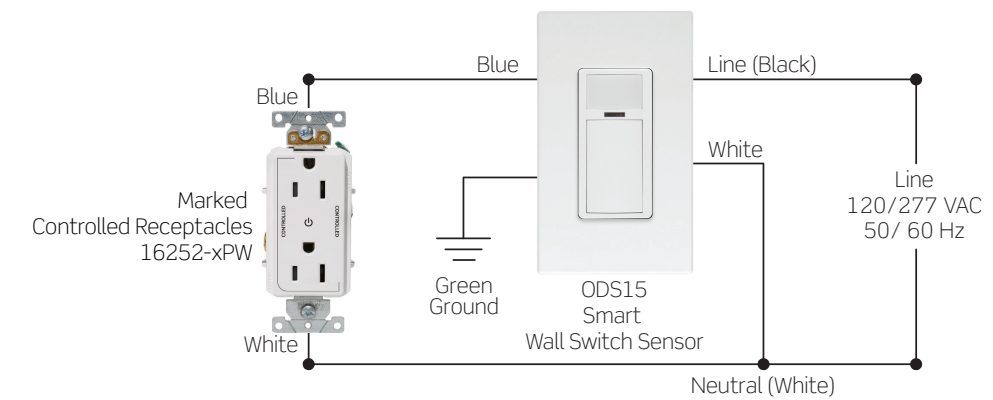


WIRING DIAGRAMS

PLUG LOAD CONTROL WITH ODS15

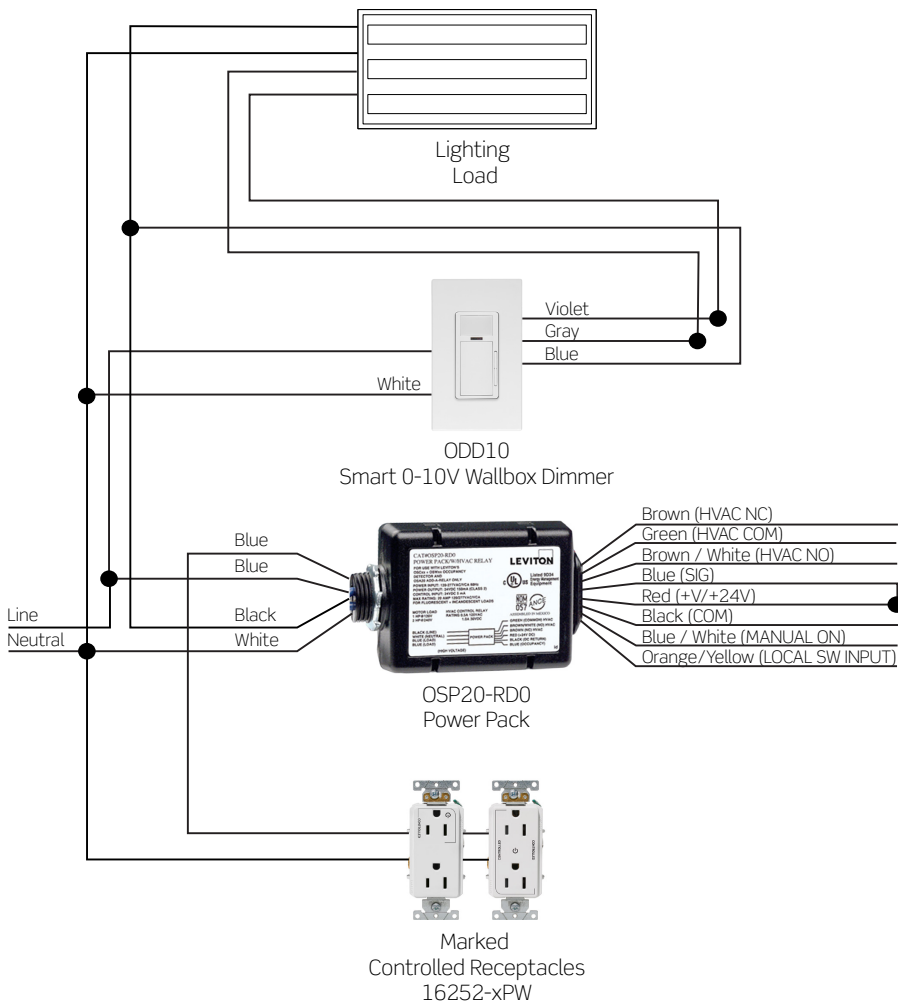


PLUG LOAD CONTROL WITH ODS15



WIRING DIAGRAMS

PLUG LOAD CONTROL WITH ODD10



Leviton Manufacturing Co., Inc. Lighting & Controls

20497 SW Teton Avenue, Tualatin, OR 97062 tel 503-404-5500 tech line (8:30AM-7:30PM ET Mon-Fri) 800-824-3005

Visit our website at: www.leviton.com/smartsensors

© 2020 Leviton Manufacturing Co. Inc. All rights reserved. Subject to change without notice.

LES-G-10428A/L20-cds
REV DEC 2020

